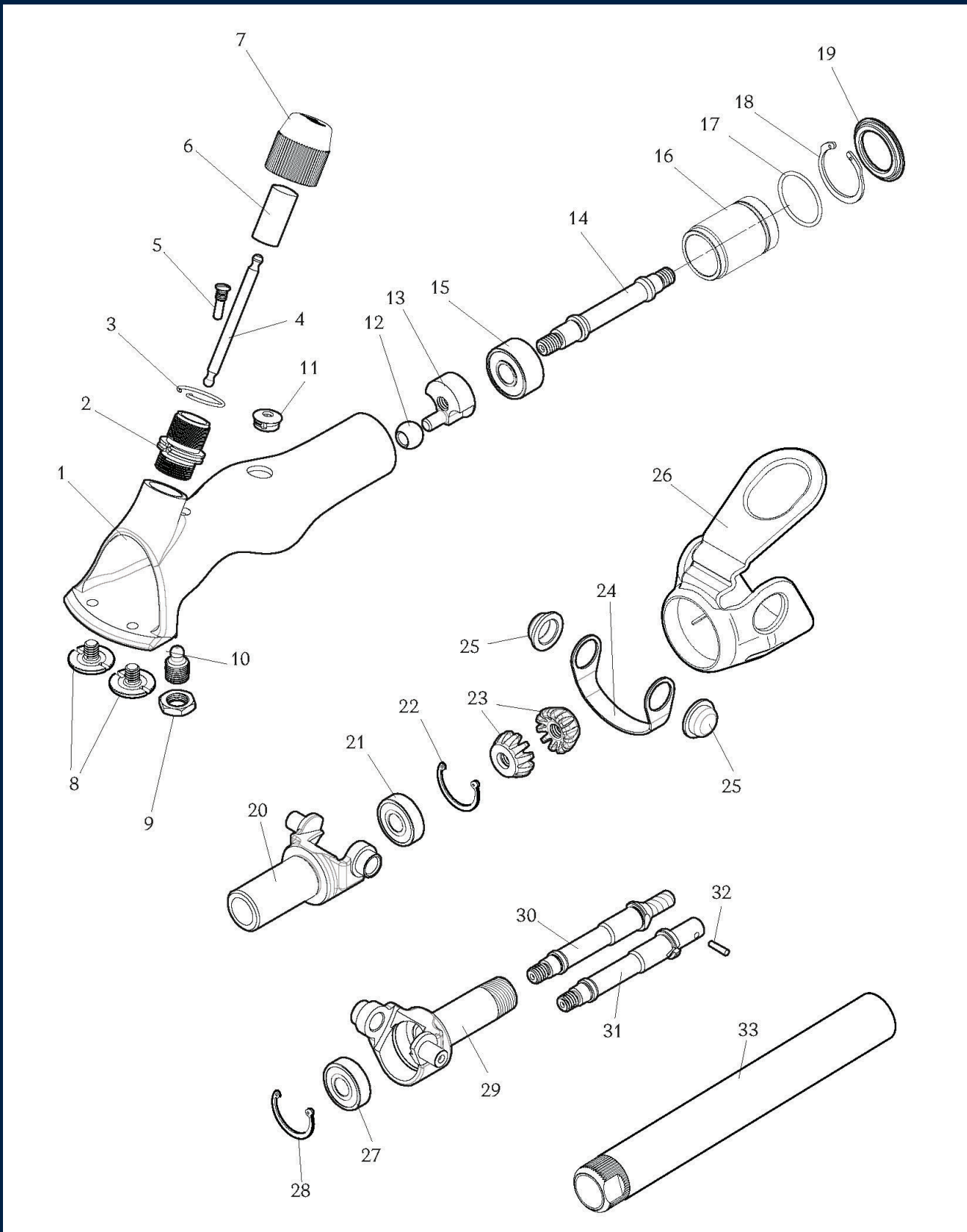


# DF-642



## DF642 HANDPIECE

Item	Part No	Description	No. Per Set
1.	249-18060	Body/Lid Bush Assembly (includes item 2)	1
2.	249-15030	Lid Bush	1
3.	249-00020	Tension Lock Ring	1
4.	249-00008	Tension Pin	1
5.	249-17240	Fork Retaining Screw	1
6.	249-00010	Sliding Sleeve	1
7.	249-18040	Tension Nut	1
8.	249-17430	Safety Comb Screw	2
9.	249-10730	Adjusting Locknut	1
10.	249-00161	Fulcrum Post	1
11.	249-17640	Inspection Hole Plug	1
12.	157-00151	Crank Roller	1
13.	249-17080	Crank Head	1
14.	249-17070	Crank Spindle	1
15.	249-17032	Crank Spindle Ball Bearing	1
16.	249-17043	Sleeve Bush	1
17.	SH27586A	O-Ring for Sleeve Bush	1
18.	SH37052A	Flat Circlip	1
19.	249-17090	Handpiece Body Seal	1
20.	249-17100	Backjoint Shorthalf Assembly (Includes items 21 & 22)	1
21.	249-18160	Backjoint Ball Bearing	1
22.	249-17440	Internal Circlip	1
23.	249-18140	11 Tooth Cog	2
24.	249-16210	Joint Spring	1
25.	249-16200	Joint Cap	2
26.	249-17630	Joint Guard	1
27.	249-18160	Backjoint Ball Bearing	1
28.	249-17440	Internal Circlip	1
29.	249-17130	Backjoint Longhalf Assembly (Includes items 27 & 28)	1
30.	249-17150	Splined Spindle (Worm Drive)	1
31. or	249-17170	Short Spindle Assy (Pin Drive) (Includes item 32)	1
32.	154-00034	Short Spindle Pin	1
33.	177-00901	Universal Ferrule	1
34.	178-11050	Knuckle Saver Screwdriver (as on page 5)	1