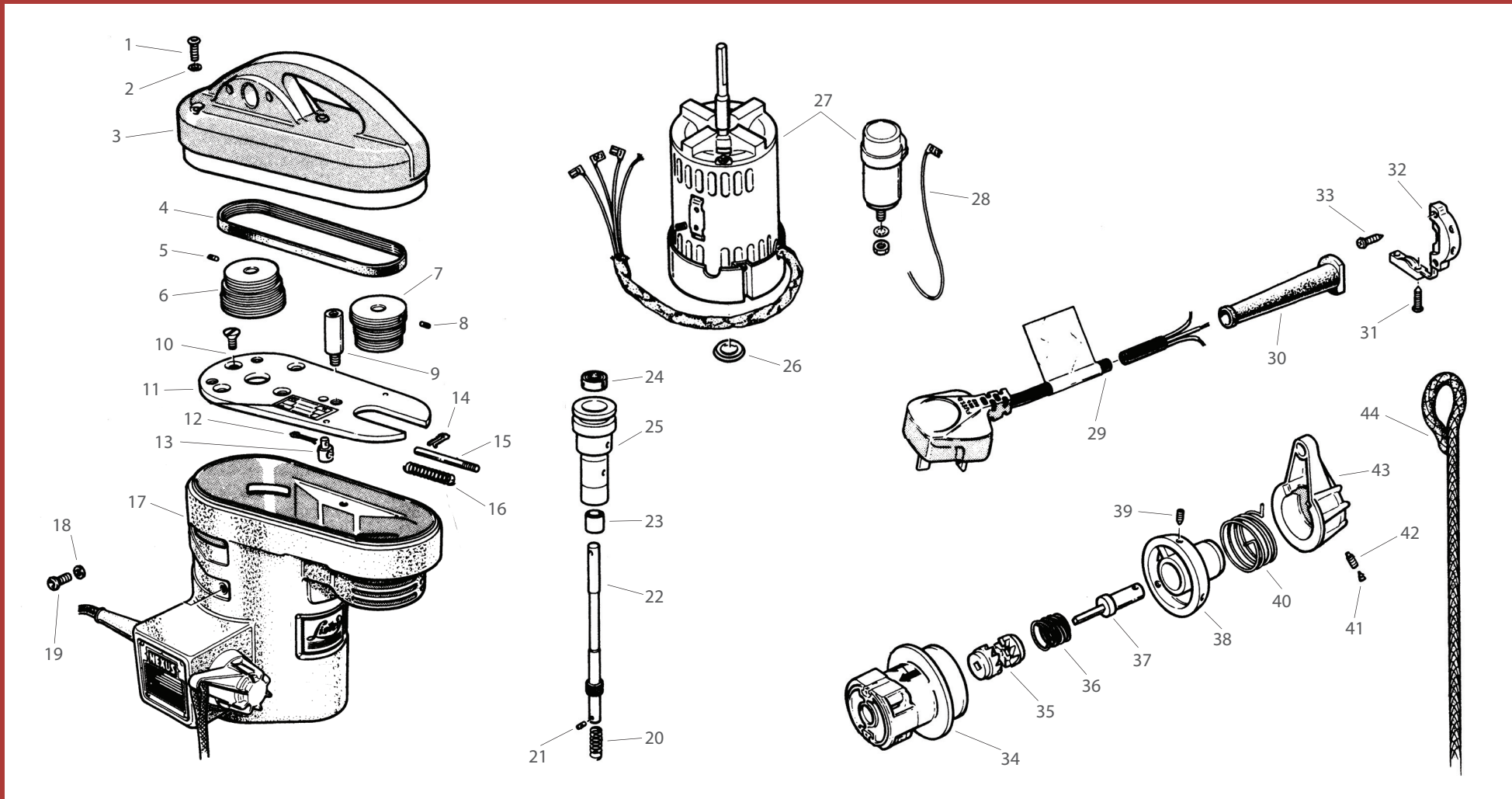


# Nexus



# Nexus

Item	Part No.	Description
1	289-17740	Screw M8 x 25mm
2	027-03929	Washer
3	289-00043	Top Cover
4	289-13720	Poly-V Belt
5	289-14360	Grubscrew ( <i>W-cup point</i> )
6	289-17600	Driving Pulley
7	289-17610	Driven Pulley
8	289-14370	Grubscrew ( <i>dog point</i> )
9	289-17560	Top Plate Stud
10	289-17710	Screw M6 x16mm
11	289-17550	Top Plate
12	027-00123	Split Pin
13	289-10842	Spring Abutment
14	027-00122	Split Pin
15	289-17570	Spring Bar
16	289-17580	Spring
17	289-17650	Casing
18	289-17540	Washer
19	289-17090	Screw M5 x 10mm
20	289-11601	Spring
21	154-00034	Pin
22	289-14400	Spindle Assembly ( <i>includes item 20 &amp; 21</i> )
23	289-00011	Bush
24	289-00020	Ball Bearing

Item	Part No.	Description
25	289-10091	Spindle Bearing Assembly ( <i>includes item 23 &amp; 24</i> )
26	289-17300	Motor Blanking Plug
27	289-17020	Motor & Capacitor 240V
	289-17780	Motor & Capacitor 110V
28	289-17620	Capacitor to Switch Lead
29	289-14820	Mains Lead UK
	289-14821	Mains Lead US ( <i>not shown</i> )
	289-14822	Mains Lead AUS ( <i>not shown</i> )
	289-16210	Mains Lead Euro ( <i>not shown</i> )
30	258-37070	Grommet
31	289-14260	Screw No.4 x 16mm
32	289-14250	Cable Clamp
33	289-14270	Screw No.4 x 9.5mm
34	289-14580	Switch Assembly
35	289-15020	Ratchet Wheel
36	289-15040	Ratchet Spring
37	289-15030	Ratchet Shaft
38	259-15050	Ratchet Housing
39	289-15130	Grubscrew M5 x 10mm ( <i>cone point</i> )
40	289-15080	Return Spring
41	289-15990	Grubscrew M5 x 6mm ( <i>cone point</i> )
42	289-15980	Grubscrew M5 x 8mm ( <i>full dog point</i> )
43	289-15060	Switch Lever
44	289-17920	Rope Assembly