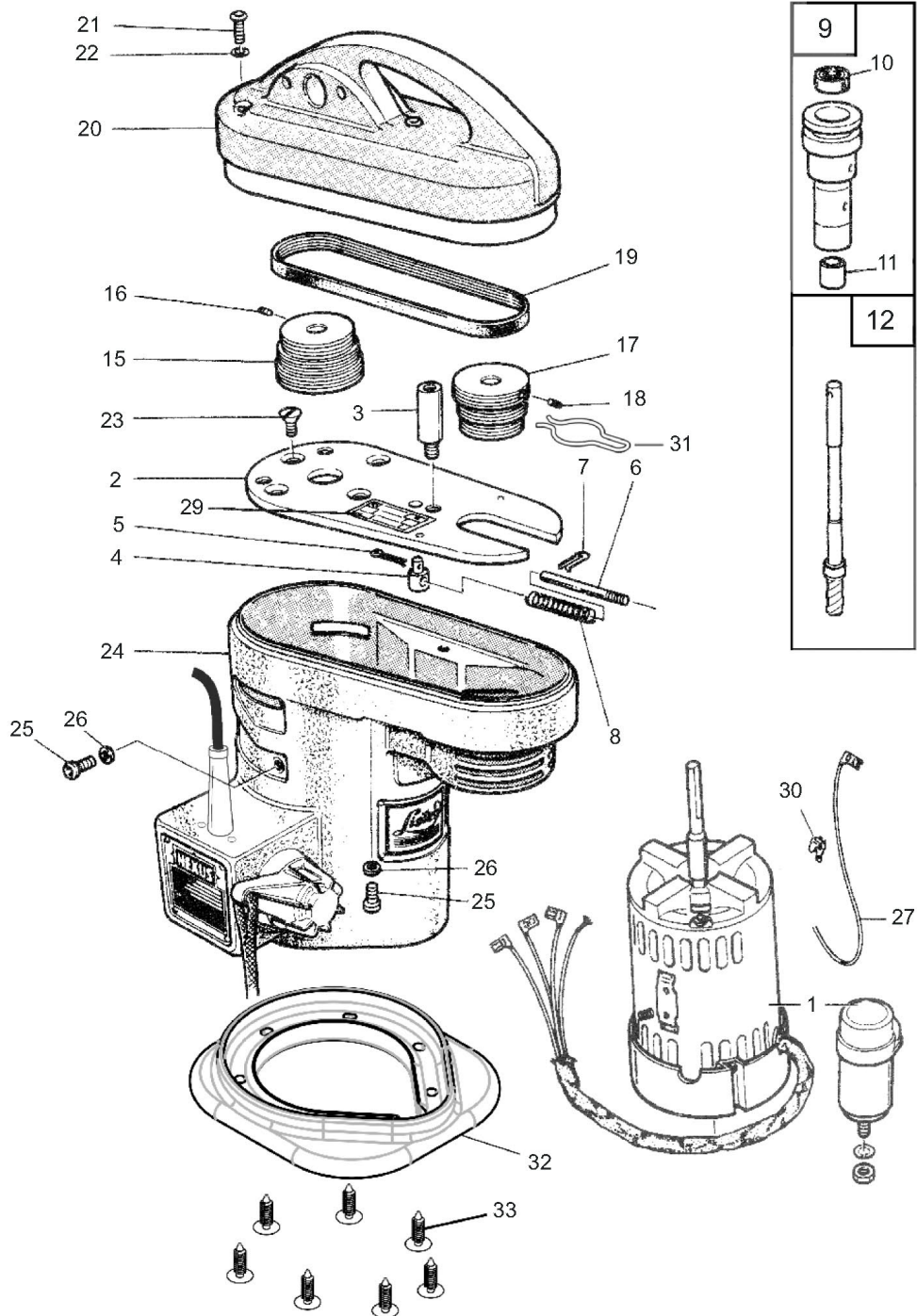


NexusQR



PARTS LIST - MOTOR UNIT

<u>Item</u>	<u>Part Number</u>	<u>Description</u>	<u>No. per Set</u>
1	289-17020	250W Motor & Capacitor 240V 50Hz	1
or	289-17780	250W Motor & Capacitor 110V 60Hz	1
or	289-18840	700W 'PRO' Motor & Capacitor 240V 50Hz	1
2	289-17550	Top Plate	1
3	289-17560	Top Plate Stud	3
4	289-10842	Spring Abutment	1
5	027-00123	Split Pin	1
6	289-17570	Spring Bar	1
7	027-00122	Split Pin	1
8	289-17580	Spring	1
9	289-10091	Spindle Bearing Assy (Includes Items 10 & 11)	1
10	289-00020	Ball Bearing	1
11	289-00011	Bush	1
12	289-18900	Spline Drive Spindle (for 'Quick Release')	1
15	289-17600	Driving Pulley 240V 50Hz	1
16	289-14360	Grubscrew M5 (W-cup Point)	1
17	289-17610	Driven Pulley	1
18	289-14370	Grubscrew M5 (Dog Point)	1
19	289-13720	Poly-V Belt	1
20	289-00043	Top Cover - Nexus QR	1
or	289-00043/BLU	Top Cover - Nexus Sensor	1
or	289-19250	Top Cover - Nexus Elite Sensor	1
21	289-17740	Screw M8 x 25 (Hex Socket Button Head)	3
22	027-03929	Washer (Fan Disc Type)	3
23	289-17710	Screw M6 x 16 (C'sk Head)	4
24	289-18850	Bottom Cover Black	1
25	289-17090	Screw M5 x 10 (Hex Socket Button Head)	5
26	289-17540	Washer	5
27	289-17620	Capacitor to Switch Lead	1
29	289-17660	Speed Change Label	1
30	289-17680	Piggyback Terminal (if required)	1
31	289-17940	Spring Clip for Spindle Bearing	1
32	289-18860	Rubber Foot	1
33	289-18870	Barbed Rivet	7