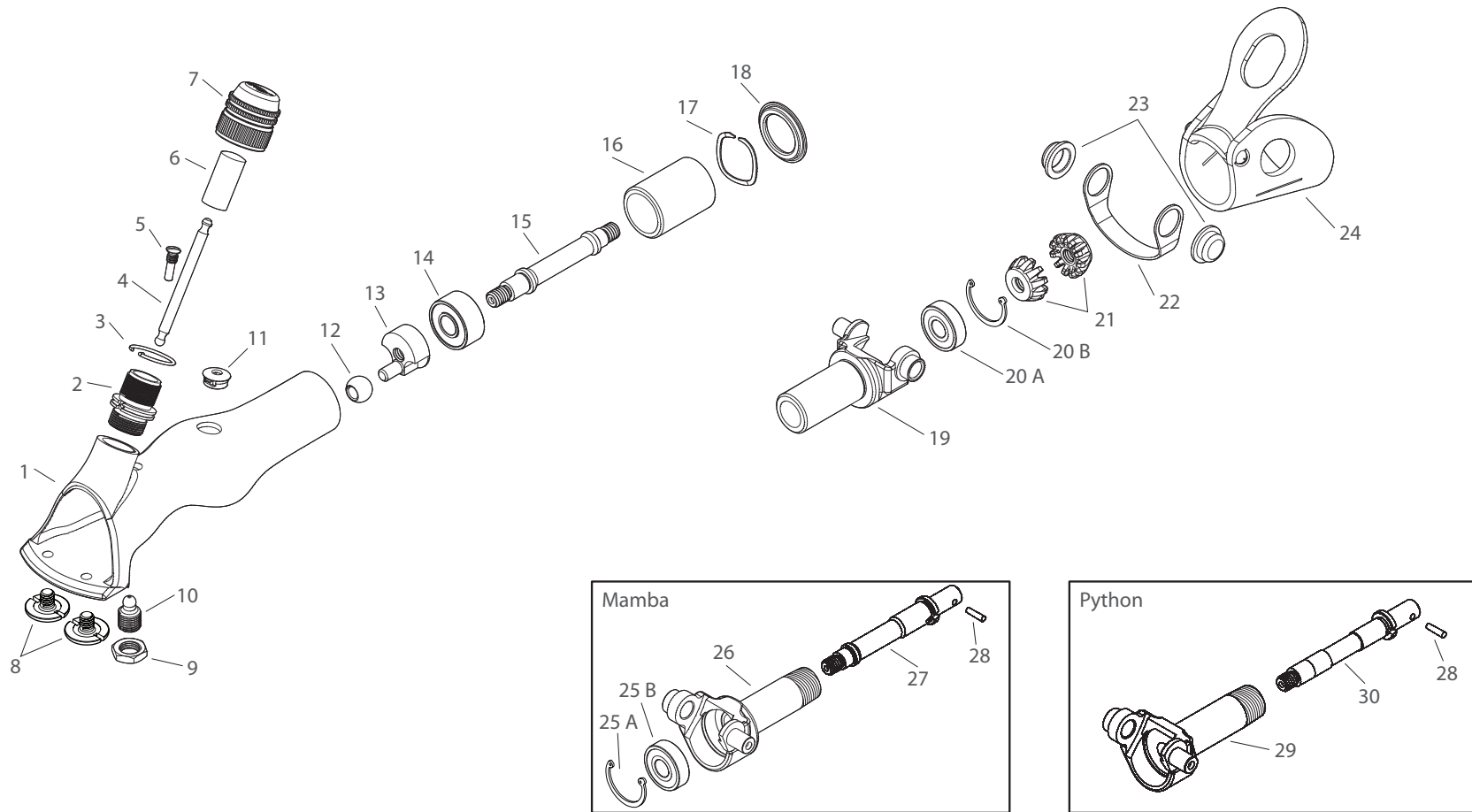


Python **+** & Mamba **+**



Python & Mamba

Item	Part No.	Description
1	249-17020	Body Assembly <i>(includes item 2)</i>
2	249-15030	Lid Bush
3	249-00020	Tension Lock Ring
4	249-00008	Tension Pin
5	249-17240	Fork Retaining Screw
6	249-00010	Sliding Sleeve
7	249-17290	Tension Nut
8	249-17430	Comb Screw
9	249-10730	Adjusting Locknut
10	249-00161	Fulcrum Post
11	249-15980	Inspection Hole Plug
12	157-00151	Crank Roller
13	249-17080	Crank Head
14	249-17030	Crank Spindle Ball Bearing
15	249-17070	Crank Spindle
16	249-17040	Sleeve Bush
17	249-17050	Waved Circlip for Sleeve Bush
18	249-17090	Handpiece Body Seal
19	249-17100	Shorthalf Assembly <i>(includes items 20 A & B)</i>
20 A	249-17120	Backjoint Ball Bearing
20 B	249-17440	Circlip
21	278-00072	11 Tooth Cog
22	249-16210	Joint Spring
23	249-16200	Joint Cap

Item	Part No.	Description
24	249-17190	Leather Cover - Mamba
	249-17192	Leather Cover - Python <i>(not shown)</i>
25 A	249-17440	Circlip
25 B	249-17120	Backjoint Ball Bearing
26	249-17130	Longhalf Assembly <i>(includes items 25 A & B)</i>
27	249-17170	Short Spindle Assembly (Pin Drive)
	249-17150	Splined Spindle (Worm Drive) <i>(not shown)</i>
28	154-00034	Short Spindle Pin
29	249-10553	Backjoint Longhalf
30	249-10690	Short Spindle Assembly (Pin Drive)
	249-00085	Splined Spindle (Worm Drive) <i>(not shown)</i>